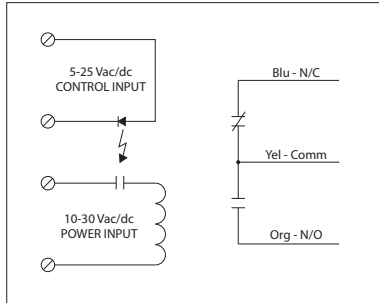


## LOW COIL INPUT RELAYS

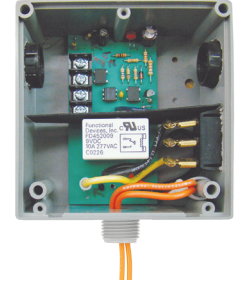
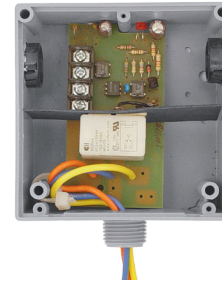
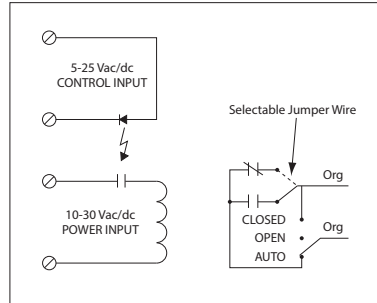
### RIBTELC

Enclosed Relay Hi/Low Separation 10 Amp  
SPDT, 10-30 Vac/dc Power Input + 5-25 Vac/dc  
Control Input



### RIBTELS

Enclosed Relay Hi/Low Separation 10 Amp  
SPST + **Override**, 10-30 Vac/dc Power Input  
+ 5-25 Vac/dc Control Input



## SPECIFICATIONS

**Power Input:** 10-30 Vac/dc, 50-60 Hz  
**Control Input:** 5-25 Vac/dc, 50-60 Hz  
**# Relays & Contact Type:** One (1) SPDT Continuous Duty Coil  
**Expected Relay Life:** 10 million cycles minimum mechanical  
**Operating Temperature:** -30 to 140° F  
**Humidity Range:** 5 to 95% (noncondensing)  
**Operate Time:** 20ms  
**Relay Status:** LED On = Activated  
**Dimensions:** 4.00" x 4.00" x 1.80" with .50" NPT Nipple  
**Wires:** 16", 600V Rated  
**Approvals:** UL Listed, UL916, UL864, C-UL California State Fire Marshal  
**Housing Rating:** UL Accepted for Use in Plenum, NEMA 1  
**Gold Flash:** Yes (RIBTELC), No (RIBTELS)  
**Override Switch:** No (RIBTELC), Yes (RIBTELS)

**Contact Ratings:**  
 10 Amp Resistive @ 120-277 Vac  
 10 Amp Resistive @ 28 Vdc  
 480 VA Pilot Duty @ 240-277 Vac  
 480 VA Ballast @ 277 Vac  
*Not rated for Electronic Ballast*  
 600 Watt Tungsten @ 120 Vac (N/O)  
 240 Watt Tungsten @ 120 Vac (N/C)  
 1/3 HP @ 120-240 Vac (N/O)  
 1/6 HP @ 120-240 Vac (N/C)  
 1/4 HP @ 277 Vac (N/O)  
 1/8 HP @ 277 Vac (N/C)

**Power Input Ratings:**  
 33 mA @ 10 Vac  
 35 mA @ 12 Vac  
 46 mA @ 24 Vac  
 55 mA @ 30 Vac  
 13 mA @ 10 Vdc  
 15 mA @ 12 Vdc  
 18 mA @ 24 Vdc  
 20 mA @ 30 Vdc

**Control Input Ratings:**  
 .4 mA @ 5 Vdc  
 .9 mA @ 10 Vdc  
 1 mA @ 12 Vdc  
 2 mA @ 24 Vdc  
 3 mA @ 24 Vdc  
 (Non Polarized)

**Notes:**  
 • Normally Open or Normally Closed selected by yellow jumper wire (RIBTELS)